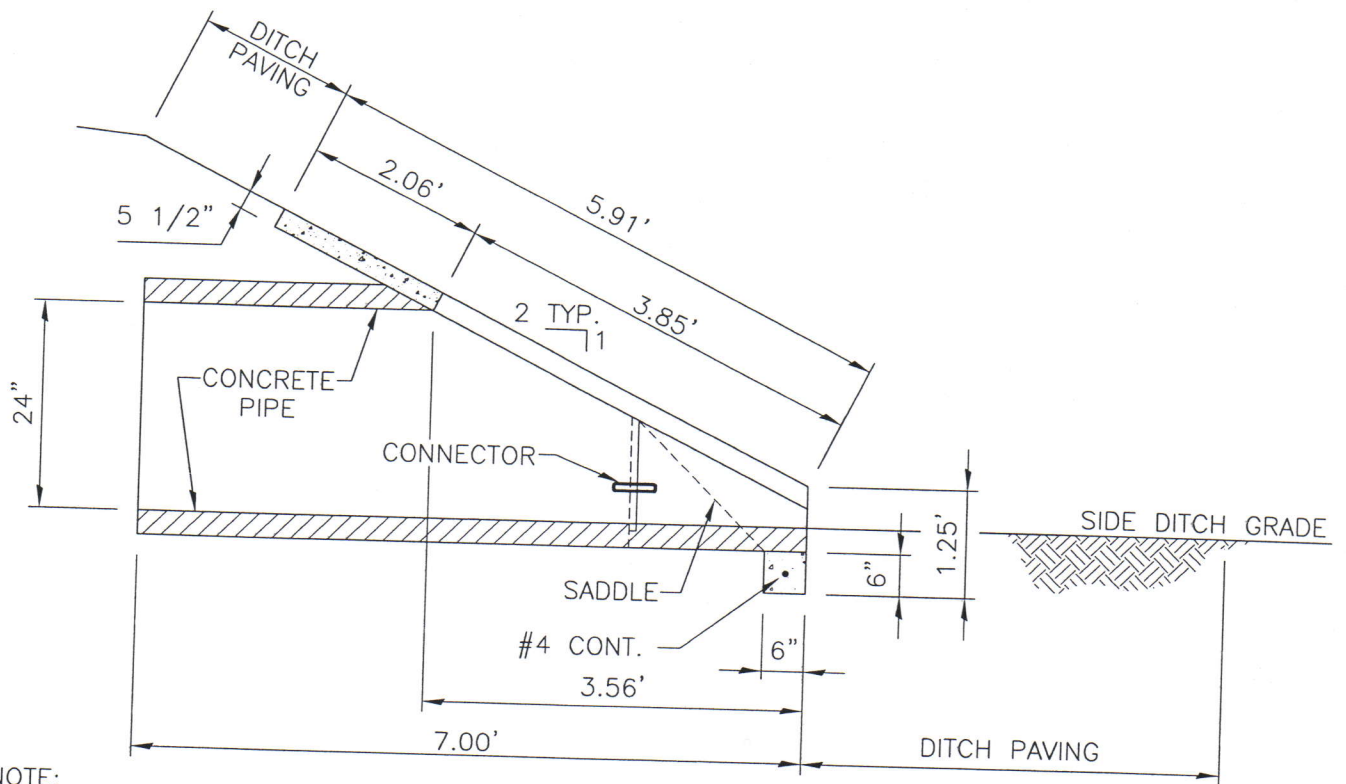


5-1/2" THICK CONCRETE SLAB,
REINFORCED W/ WWF 6x6.



NOTE:
MITERED END SECTION PER D.O.T. STANDARDS

MITERED END SECTION

N.T.S.